



## STERN GB PKE BUILDING PRO, PREM / LE INSTRUCTIONS

Thank you for purchasing my Stern Ghostbuster PKE mod. This mod works with the existing insert lighting for the PKE indicators on the playfield. This mod will not alter the factory components and can be removed later with no damage left to the machine.

Open your kit and verify the components. You will have the following, PKE buildings, adjustment tool, Zip Ties

Please note: Pictures for install are shown on a PRO machine but are the same as a Prem and LE machine.

**Please read each step fully before proceeding, better yet take 5 min to read the full instructions prior to starting anything so you know what is next and you can prepare for it !!!! Each step may have multiple instructions that work hand in hand.**

### **Disclaimer:**

**This modification is not a factory component. Any damage caused to a machine during the installation process, or damage caused to the machine by the modification itself is not to be deemed the modification creators responsibility. By installing this modification, you as the owner of the machine, or the buddy that got suckered into doing it, take full responsibility / ownership of any damage or issues that may arise due to the installation of this modification or outlined installation procedures. All mods are tested on my end to ensure they work correctly prior to shipping.**

To install this mod you will need a long Philips screwdriver (the longer the better)

### **Step #1**

Remove the factory central city from the top middle of the playfield and set it aside. This will be three (3) Phillips screws in total. Removing this will give you easier access to the work that is required on the back board.

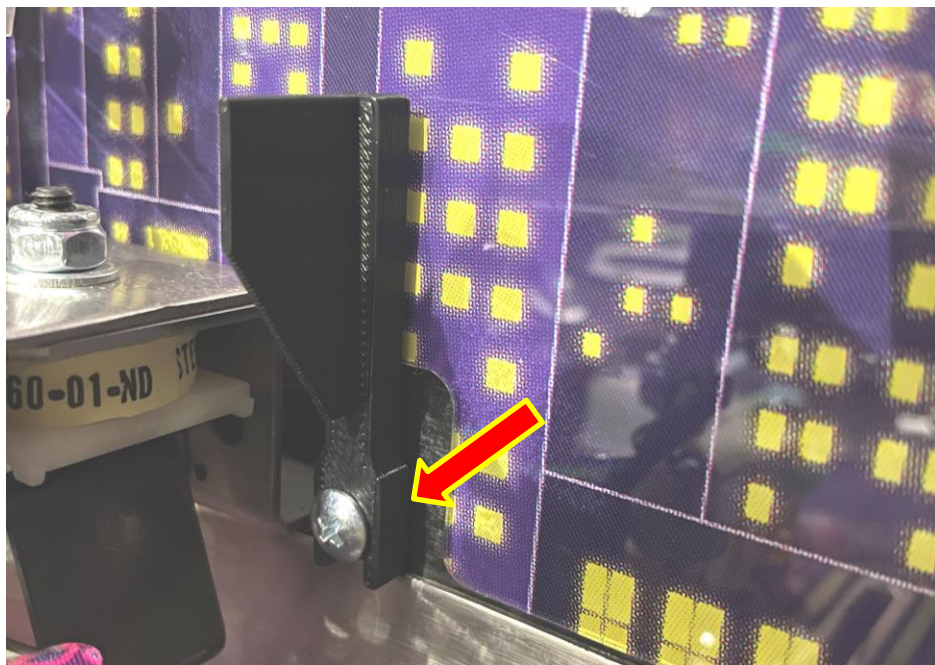
### **Step #2**

Remove the factor plexi reflection shield. This will be two (2) Philips screws. This can be a challenge as the ramp and roll over switches are in the way on the right side. The picture below shows a good example on how to reach the right and left side with a long screw driver. Keep these screws as they will be used in the next step.



### Step #3

Reinstall the 2 screws a few turns in back into their original holes. Take the spacer tool that was included with the PKE kit and check to see if it can still fit behind the screw head and the back board. This tool just helps you verify that you have left the screws out far enough so the PKE base can slide down into place correctly and rest on the screws. Keep adjusting the screw until the toll just slide in and out from behind the screw head. These screws **do not** need to be tightened to hold the PKE building in place. Refer to next step for how they secure.



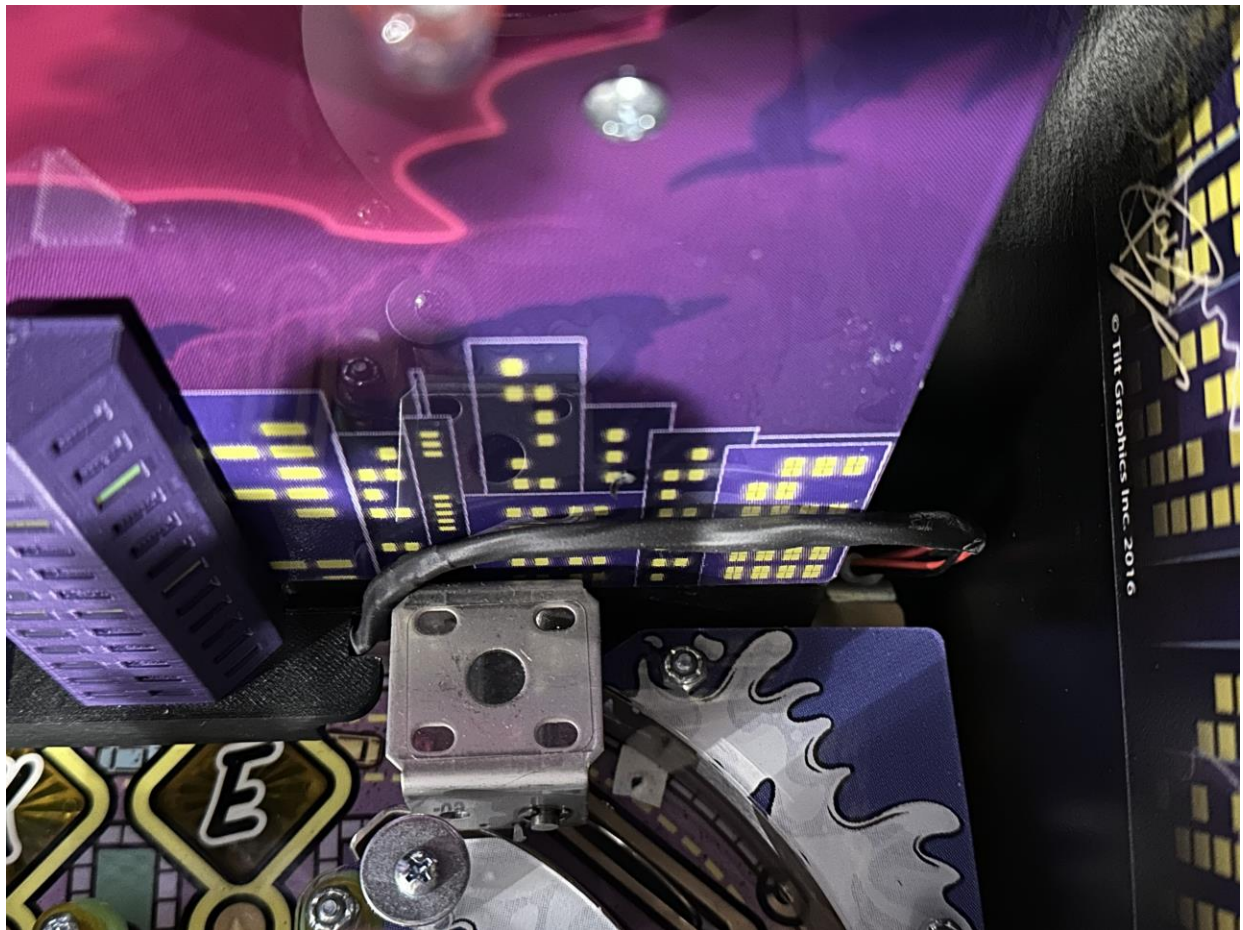
#### **Step #4**

Take the PKE towers do a test fit to ensure they fit over the screws. The base of the towers will have two half mood notches that the screws will sit in. After you test fit peel off the double sided tape protective layer located behind the K tower. This small piece of tape acts as a shim and also keeps the towers from possibly vibrating on the back board plastic and doing damage overtime.

Carefully slide the PKE towers into position above the screws at a forward angle and slide the mod down, try to keep the towers slight tilted so the sticky tape behind tower K does not make contact until the mod is in its final resting place. Once you know the base is resting on both of the screw shanks tilt it back so the sticky tape makes contact with the back board. Press back gently to bond the tape. This can be removed easily but you need to gently pull for a long time and the tape will slowly start to let go.

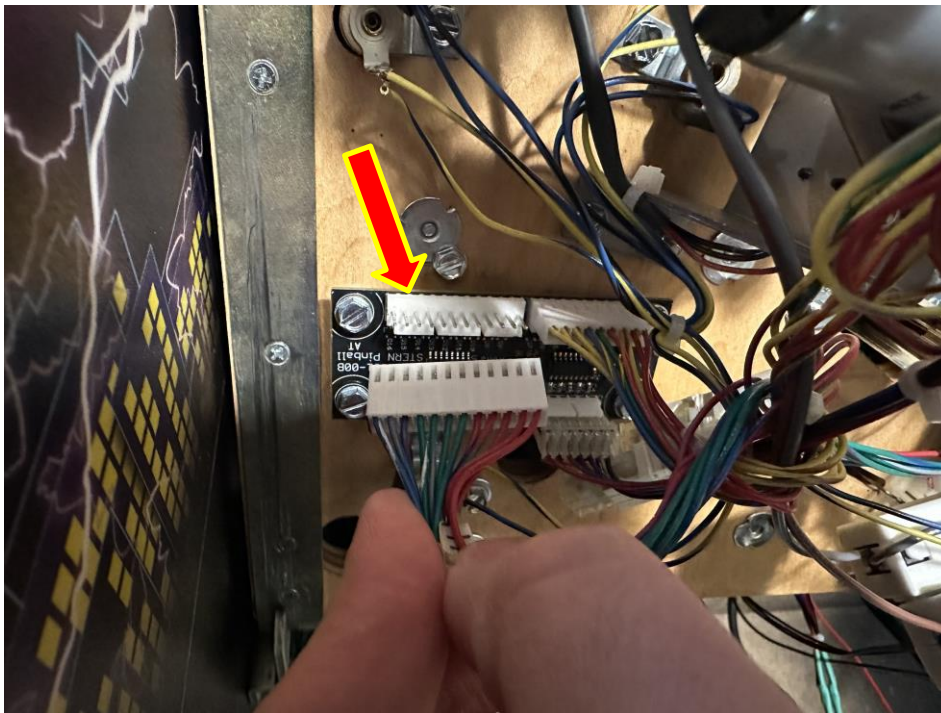
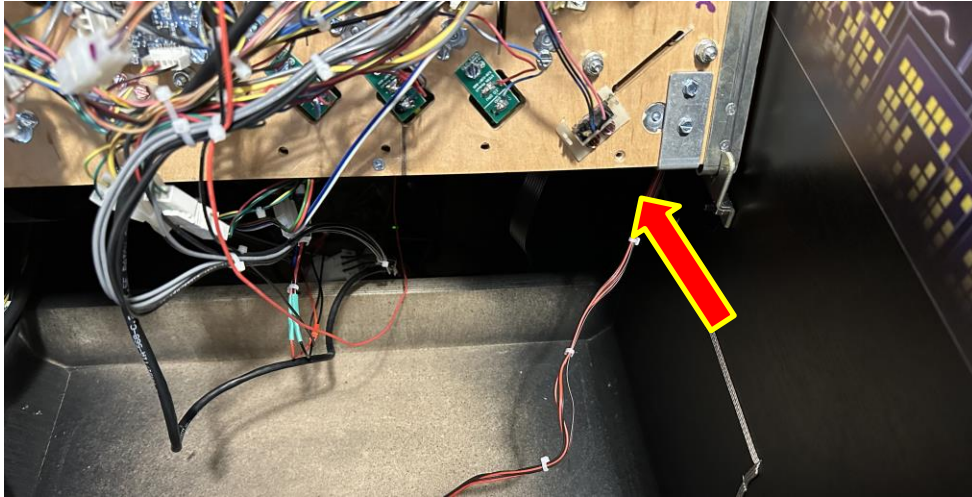
#### **Step #5**

Fish the mod wires above the gate to the right and around the side of the back board



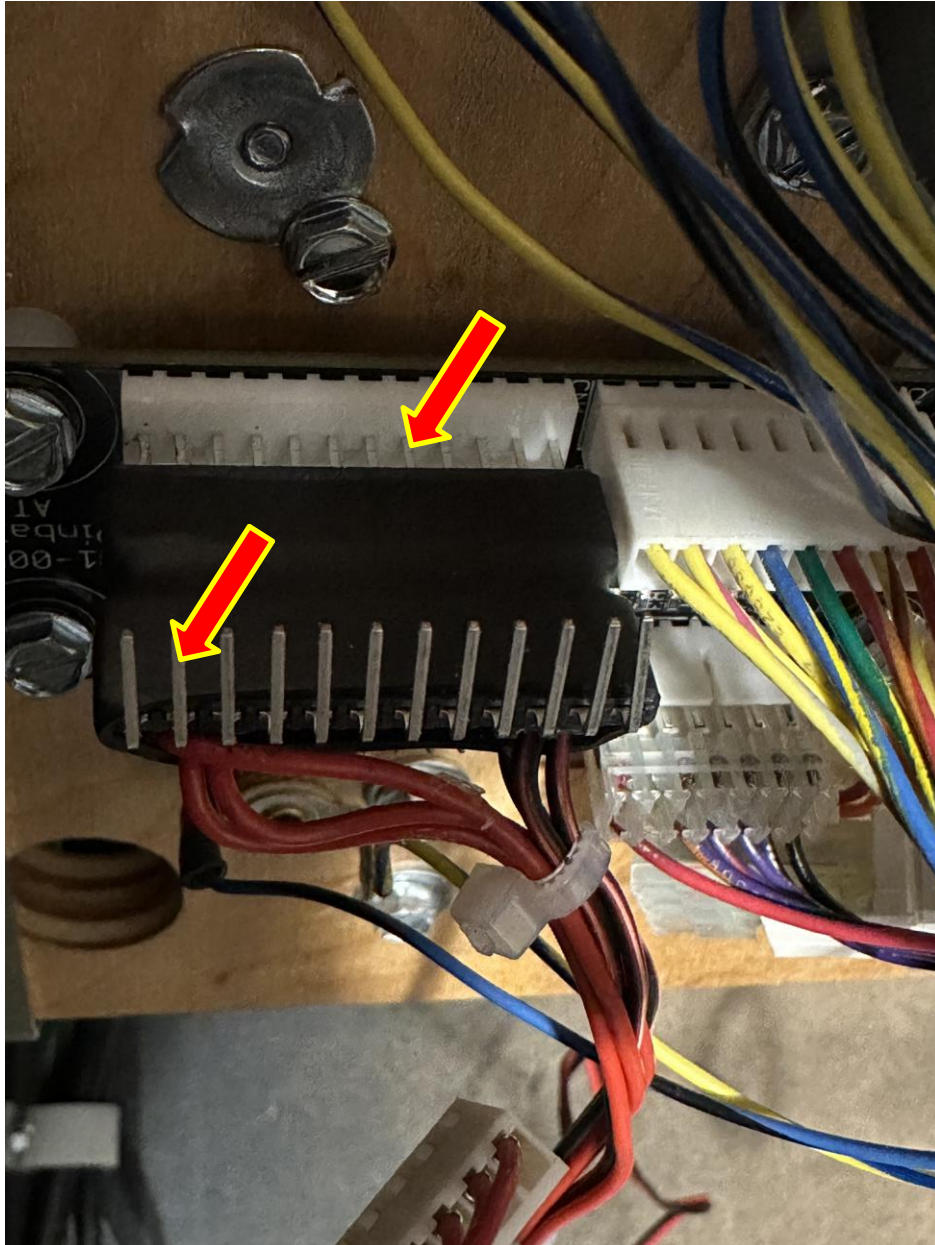
## Step #6

Remove the balls from the game and raise the playfield all the way up as you normally work for servicing. You should be able to see the mod wires dangling into the cabinet base on the right. Take the end of the wire and bring it to the left side of the playfield and use the supplied zip ties to string the wires from the right to the left lower corner of the underside of the playfield. In the left corner you will see a connection board. Disconnect the UPPER LEFT connector (refer to picture)



### Step #7

Take the mod end connector and install it to the exposed pins on the board. **The bent pins on MY connector will face upward** Please be careful to ensure all pins are lined up with the connector holes before trying to push on the connector. . (NOTE!!! The connector I use **will not** slide completely over the existing pins) push the connector onto the existing board pins until its snug and has about an 1/8" gap from the factory board. (Refer to picture)



Step #8

Connect the factory stern white PKE lead to the exposed pins that are facing up on my connector.

Note that the red factory wires are on the right and the blue are on the left.

